

PROPRIETARY DATA

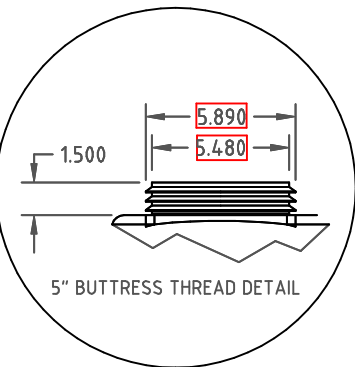
PROPERTY OF ACE ROTO-MOLD MFG., INC. INFORMATION FURNISHED HEREIN IS THE PROPERTY OF ACE ROTO-MOLD MFG., INC. AND SHALL NOT BE USED, DISCLOSED TO OTHERS, OR COPIED WITHOUT THE EXPRESSED WRITTEN CONSENT OF ACE ROTO-MOLD MFG., INC. ALL RIGHTS RESERVED.

EXCEPT AS NOTED TOLERANCES ARE +/- 2% OF DIMENSION NOTED

SHIPPING WEIGHT = 17-1/2 LB.

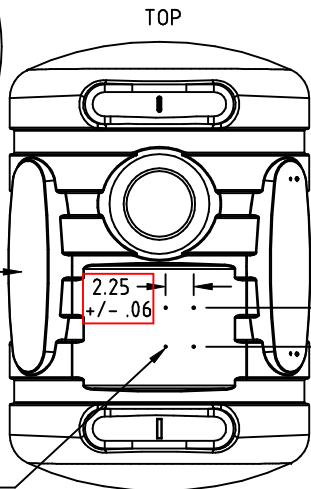
SB00040

A



LOGO APPLICATION AREA EACH SIDE

4 X 10-24 THREADED BRASS INSERTS FOR PUMP
DHI P.N. 19001

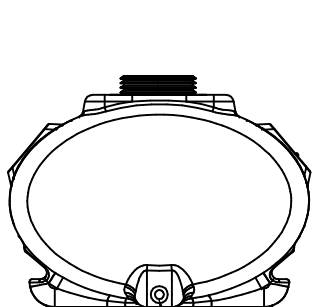
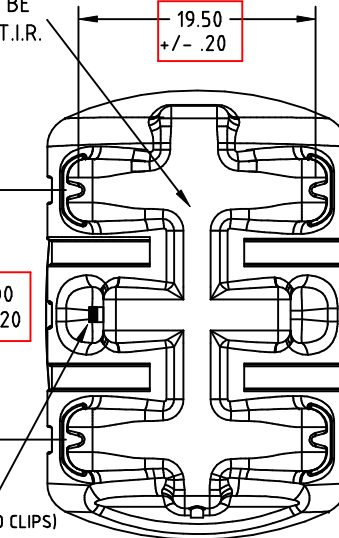


TANK BOTTOM TO BE FLAT WITHIN .125 T.I.R.

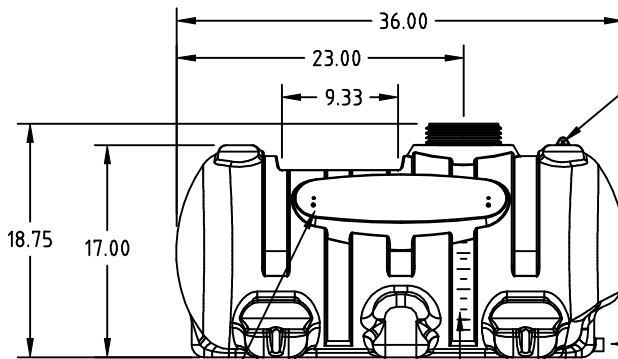
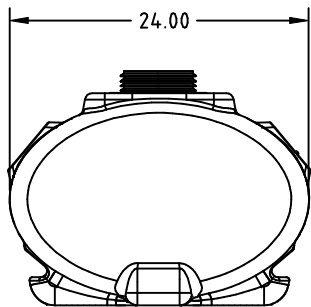
BOTTOM

12464 OUTLET (OPPOSITE SIDE OF WAND CLIPS)

2 X 10-24 THREADED BRSS INSERTS FOR WAND
DHI P.N. 19001



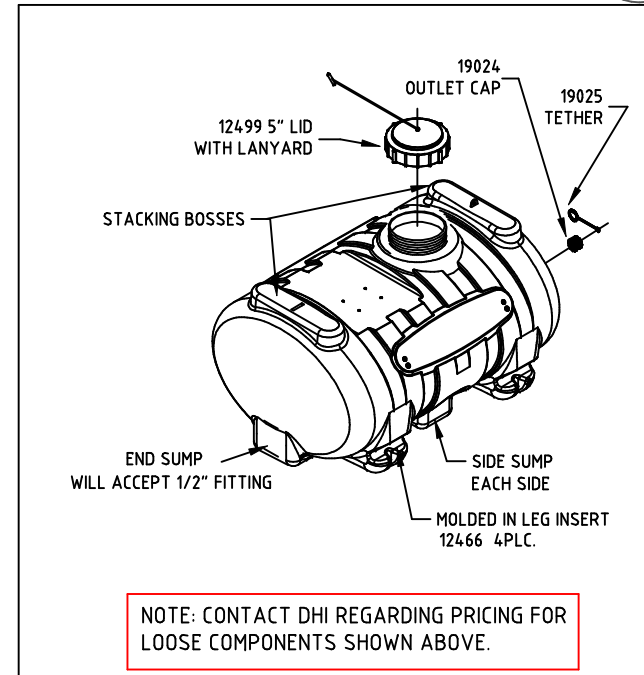
.500 / .530 BORE THRU THREADED OUTLET



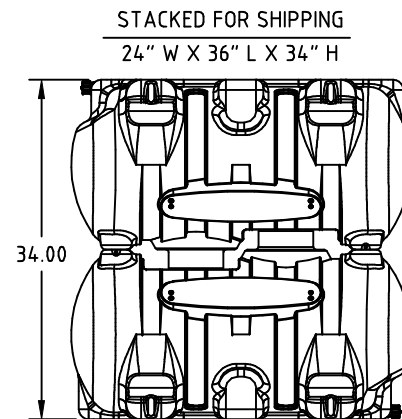
Ø0.25 FOR LANYARD

OUTLET DRAIN .75-11.5 NHR HOSE COUPLING THREADS X .75 LONG

GALLON MARKERS



NOTE: CONTACT DHI REGARDING PRICING FOR LOOSE COMPONENTS SHOWN ABOVE.



| | | | | | |
|---|------------------|-------------------------------|-------|---|--|
| | | DRAWN / DATE REH / 3/22/07 | | MATERIAL EQUISTAR 5704 SHOT WEIGHT = 15.5 LB. | |
| A | WAS .095 CCN1520 | 11/15/07 | ADH | APPRD. / DATE DHJ 10/1/07 | |
| REV | DESCRIPTION | DATE | APPRD | | |
| ALL DIMENSIONS ARE IN DECIMAL INCHES TOLERANCES UNLESS OTHERWISE SPECIFIED ± .5% @ 68° F | | | | THIRD ANGLE PROJECTION ANSI 14.5M | |
| | | | | NOTES: 1. WHITE OR YELLOW COLOR 2. MIN. WALL = .080 Ⓢ | |

| | |
|---|---|
| ACE ROTO-MOLD A DIVISION OF DEN HARTOG INDUSTRIES, INC. 4010 HOSPERS DRIVE SOUTH, BOX 425, HOSPERS, IOWA 51238 | |
| CLIENT / DESCRIPTION 40 GALLON B/M APPLICATOR TANK | |
| SCALE N.S. | PART NO. TANK ONLY - WHITE SB00040SW TANK ONLY - YELLOW SB00040SY |